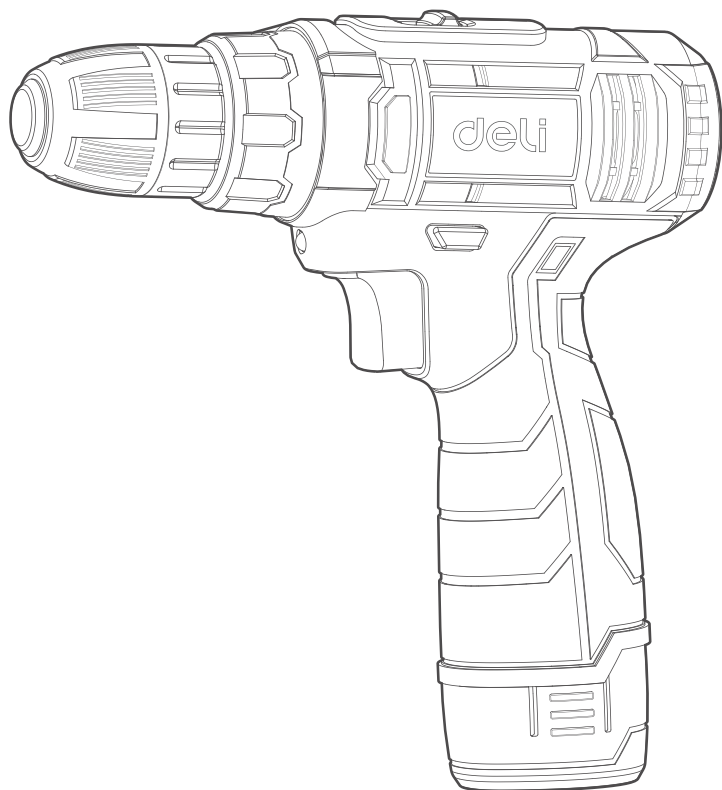


deli

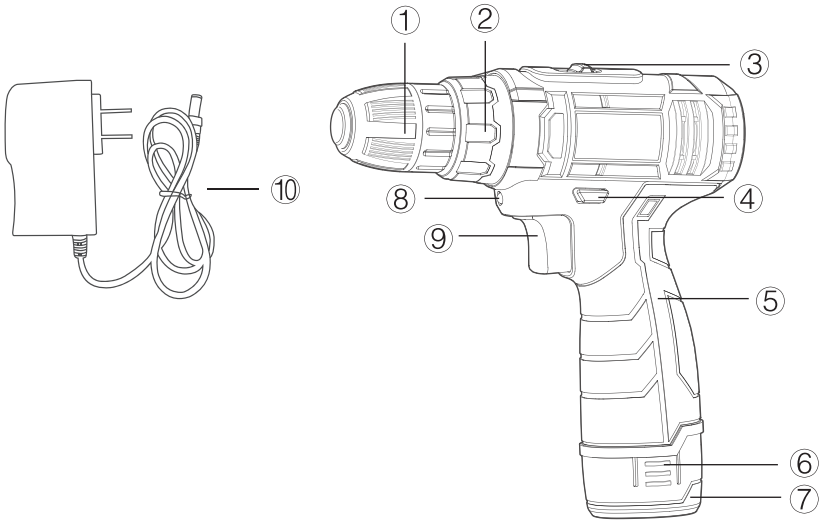
DL-DZ12-5A2

Lithium-Ion Cordless Drill



Thank you for purchasing and using Deli tool products.

This product has various practical functions such as electronic speed control, electronic emergency braking, forward and reverse rotation, lighting and drilling. It uses a lithium-ion battery as the driving power source and can be charged and discharged repeatedly for more than 300 times. Lithium-ion battery powered drills are widely used for drilling in materials such as wood, plastic and steel, featuring with high work efficiency, safe use, easy operation and convenient carrying. They are your effective helper.



No.	Name	No.	Name
①	Chuck	⑥	Lock plate
②	Torque sleeve (for regulating the torque force)	⑦	Battery pack
③	Shift gear (for mechanical dual-speed conversion)	⑧	Light
④	Push rod (for the forward and reverse conversion)	⑨	Switch
⑤	Housing	⑩	Charger

Specifications

Product model	DL-DZ12-5A2
Maximum voltage	DC12V
No-load speed	Low gear: 0-400/min High gear: 0-1500/min
Maximum chuck diameter	Φ 10mm
Maximum drilling depth	Wood plate: Φ16mm Iron plate: Φ 8mm
Max torque	30N.m
Battery capacity	2000mAh
Charger	Rated input voltage AC100-240V Rated input frequency: 50/60Hz Output voltage: 12.6V Output current: 1A
Net weight	1.0kg

General power tool safety warnings

Warning

Read the instructions. Failure to follow the instructions listed below during use and/or operation will result in electric shock, fire and serious injury. The term "power tool" in all the following warnings refers to your battery-operated (cordless) power tool.

Save all instructions

Work area safety

- 1. Keep work area clean and well lit.**
Cluttered or dark areas invite accidents.
- 2. Do not operate power tools in explosive atmospheres, such as in the presence of flammable liquids, gases or dust.**
Power tools create sparks which may ignite the dust or gases.
- 3. Keep children and bystanders away while operating the power tool.**
Distractions can cause you to lose control of tools.

Electrical safety

- 1. The charger plug of power tools must match the socket.** Never modify the plug in any way. Power tools that require grounding cannot use any conversion plugs. The unmodified plugs and their matching sockets can help reduce the risk of electric shock.

- 2. Avoid human contact with the grounded surfaces, such as pipes, heat sinks and refrigerators.** It will increase the risk of electric shock if your body comes into contact with the grounded surfaces.
- 3. Do not expose power tools and chargers to rain or damp environments.** It will increase the risk of electric shock when water enters the power tools.
- 4. Do not abuse the power cords. Never transport and pull the power tools or remove the plugs with power cords.** Keep the power tools away from heat sources, oil, sharp edges, or movable parts. Damaged or twisted wires can increase the risk of electric shock.
- 5. When a power tool needs to be charged if it is used outdoors, use an external wire suitable for outdoor use.** A cord suitable for outdoor use can reduce the risk of electric shock.
- 6. If it is unavoidable to operate a power tool in a damp location, a residual current device (RCD) protected power supply should be used.** Use of an RCD reduces the risk of shock.

Personal safety

- 1. Stay alert, watch what you are doing and use common sense when operating a power tool.** Do not use a power tool while you are tired or under the influence of drugs, alcohol, or medication. A moment of inattention while operating power tools may result in serious personal injury.

2. **Use safety protective equipment.** Always wear protective goggles and safety equipment such as dust mask, non-skid safety shoes, safety helmets or hearing protection which are used for appropriate conditions will reduce personal injuries.
3. **Avoid sudden starts.** Ensure that the switch is in the off-position when inserting the battery pack into the power tool. Inserting the battery pack while the switch is in the on-position may cause danger.
4. **Remove any adjusting keys or wrench before turning the power tool on.** A wrench or a key that is left attached to a rotating part of the power tool may result in personal injury.
5. **Do not overextend your hands. Keep proper footing and body balance at all times.** In this way, the power tool can be well controlled in unexpected situations.
6. **Dress properly.** Do not wear loose clothing or jewelry. Keep your hair, clothing and sleeves away from moving parts. Loose clothes, jewelry or long hair can be caught moving parts.
7. **If devices are provided for the connection of dust extraction and collection facilities, ensure these are connected and properly used.** Use of dust collection can reduce dust-related hazards.
8. **Do not take it lightly because of familiarity gained from frequent use of tools and ignore tool safety principles.** A careless action can cause severe injury within a fraction of a second.

Use and precautions of power tools

1. **Do not force the power tool. Use the correct power tool for your application.** The correct power tool will do the job better and safer at the rate for which it is designed.
2. **Do not use the power tool if the switch does not turn it on and off.** Any power tool that cannot be controlled with the switch is dangerous and must be repaired.
3. **Before making any adjustments, changing accessories or storing power tools, the charger plug must be unplugged from the power supply.** Such preventive safety measures reduce the risk of starting the power tool accidentally.
4. **Store idle power tools out of the reach of children and do not allow persons unfamiliar with the power tool or these instructions to operate the power tool.** Power tools are dangerous for untrained users.

5. **Maintain power tool and accessories.** Check whether the moving parts are installed with deviation or stuck, check the damage of the parts and other conditions that affect the operation of power tool. If damaged, the power tool should be repaired before use. Many accidents are caused by poorly maintained power tools.
6. **Keep cutting tools sharp and clean.** Properly maintained cutting tools with sharp cutting edges are less likely to get stuck and are easier to control.
7. **Use power tools, accessories and tool bits, etc., in the manner specified in instruction manual and required by the particular type of power tool to be used, taking into account the working conditions and the work to be performed.** Use of the power tool for operations different from those intended could result in a hazardous situation.
8. **Keep the handle and the gripping surface dry, clean and free of grease.** Slippery handles do not allow for safe handling and control of the tool in unexpected situations.

Use and precautions of battery-operated tools

1. **Use only the charger specified by the manufacturer for charging.** There may be a fire hazard when using a charger suitable for a certain battery pack with another battery pack.
2. **Only use power tools equipped with dedicated battery packs.** Using other batteries may result in injury and fire hazards.
3. **When the battery pack is not in use, keep it away from other metal objects such as paper clips, coins, keys, nails, screws or other small metal objects, in order to prevent one end of the battery pack from connecting to the other end.** A short circuit at the end of the battery pack may cause combustion or fire.
4. **The liquid will flow out of the battery under abusive conditions, avoid contact it; rinse with water if it is accidentally touched; immediately seek medical attention if the liquid accidentally enters the eyes.** The liquid flowed from the battery can cause corrosion or fire.
5. **Do not use damaged or modified battery packs or tools.** Damaged or modified battery packs may produce unpredictable results, leading to fire, explosion or injury
6. **Do not expose the battery pack to fire or high temperatures.** If the battery is exposed to fire or high temperatures above 130 °C, it may cause an explosion.

Repair

1. **Ask the professional maintenance staff to repair the power tools by using the special spare parts, which will ensure the safety of the power tools to be repaired.**
2. **Never repair a damaged battery pack.**
The battery pack can only be repaired by the manufacturer or its authorized repair service provider.

Additional safety instructions for Drill

Safety Instructions for all operations

1. **Wear ear protectors when impact drilling.** Exposure to noise can cause hearing loss.
2. **Brace the tool properly before use.** This tool produces a high output torque and without properly bracing the tool during operation, loss of control may occur resulting in personal injury.
3. **Hold the power tool by insulated gripping surfaces, when performing an operation where the cutting accessory may contact hidden wiring .** Cutting accessory contacting a "live" wire may make exposed metal parts of the power tool "live" and could give the operator an electric shock.

Safety instructions when using long drill bits

1. **Never operate at higher speed than the maximum speed rating of the drill bit.** At higher speeds, the bit is likely to bend if allowed to rotate freely without contacting the workpiece, resulting in personal injury.
2. **Always start drilling at low speed and with the bit tip in contact with the workpiece.** At higher speeds, the bit is likely to bend if allowed to rotate freely without contacting the workpiece, resulting in personal injury.
3. **Apply pressure only in direct line with the bit and do not apply excessive pressure.** Bits can bend causing breakage or loss of control, resulting in personal injury.

Special precautions

1. You must read all instructions for your safety. Keep this instruction manual properly.
2. Always firmly hold the power tool. Prevent the reaction force generated by tools from injuring people. The torque will become greater especially when the hole is about to be drilled through.
3. Protect the battery pack from high temperatures and flames. Otherwise, there is a risk of explosion.
4. Do not open the battery pack without authorization. Otherwise, it may cause a short circuit.
5. The charger must be kept away from rain or moisture. It will increase the risk of electric shock and damage the charger when moisture or water seeps into the machine.
6. The charger must be kept clean. It can easily cause electric shock if dirt accumulates on the charger.
7. The charger and tools must be checked before use. It cannot be used again if a malfunction is found. Do not disassemble tools without authorization. The tools can only be handed over to the qualified professionals for repair, and it can only be replaced with original factory parts. Damaged charger, cord and plug can increase the risk of electric shock for users.
8. During charging, the charger should not be placed on flammable materials (such as paper and textiles), nor should it be used in flammable and explosive environments. It will become hot when charging, and easy to cause a fire if used under the above conditions.

Usage and operation

Charging

It can be charged normally when the ambient temperature is between 0-45 °C.

1. Remove the battery pack

Hold the tool tightly with one hand, press the lock plate on both sides of the battery pack ("6" in the function diagram) with another hand, and then pull outward to remove the battery pack.

2. Charging

Insert the charging port into the one corresponding to the battery pack, and the red light on the charger is on, indicating that it has entered the normal charging stage. It indicates that the charging has ended when the red light goes out and the green light comes on.

Notes:

- a. If the red light remains on, it indicates that there is a problem with the battery pack or charger. Please stop using it and have it repaired by a professional.
- b. Remove the battery pack from the charger at the end of charging. Insert the battery pack into the tool and use it after slightly cooling.
- c. This charger (included in the scope of supply) is specifically designed for lithium-ion batteries in tools. Please use the original chargers.

Install and replace the chuck

This tool adopts a self-tightening chuck, other than a chuck key. When installing the drill bit, simply grab the clamp sleeve with your hand, rotate the three claws of the clamp to the appropriate position, and directly insert the drill bit. Then, grab the clamp sleeve and tighten it clockwise with force. When replacing the drill bit, loosen the chuck counterclockwise by hand to remove the drill bit.

Turn on/off the tool

Start the tool by pressing the switch button. The tool stops its rotation as soon as the switch button is released. This tool has an electronic stepless speed regulation function. The more inward the trigger switch is pressed, the higher the rotation speed. The highest rotation speed can be achieved when it is pressed to the end. It can be slowly adjusted to reach the required speed for operation as needed.

Lighting

There is an LED light ("8" in the function diagram) in front of the power start button on the tool body, which lights up when the tool is started, providing a brighter working environment for the operator. The lighting immediately turns off after releasing the tool switch.

Forward and reverse operation

Pay attention to the rotation direction of the chuck during work. Generally, the clockwise direction is forward rotation. When the rotation direction is incorrect, push the push rod towards the other side after the tool stops. Push the end of the push rod marked with a forward arrow inward to turn the tool clockwise, and push another end marked with a reverse arrow inward to turn it counterclockwise.

Mechanical dual-speed function

If this tool is equipped with a shift gear ("3" in the function diagram) at the top, the speed of the tool can be changed by adjusting the mechanical gear ratio with this key. The corresponding torque will change as per the ratio, which makes it more suitable for the working conditions that require high torque and slow rotation speed when drilling the iron plates, and that require high speed and small torque when drilling the wood plates. It can increase the comfort and efficiency for the users.

Emergency stop function

To use the tool more safely, this tool is equipped with an emergency stop device. The spindle will immediately stop rotating after releasing the switch.

Protection function

This tool has multiple protective functions such as overload protection, overheating prevention, over discharge prevention, and short circuit protection to prevent damage to the lithium-ion battery. When the tool is at the above protection points, the protection system starts and the tool stops working.

Handle rubber

The handle of the tool is covered with rubber which has anti-slip and shock absorption functions. Users can operate tools more easily. Meanwhile, non-toxic and harmless materials are also used, allowing operators to operate with confidence.

Maintenance and service

Tools should be regularly inspected or cleaned, and it is not allowed to clean them with water or other liquids. Generally, tools should be cleaned with a brush. If the battery is damaged, contact our authorized repair service center. Tools and battery packs must be placed in a dry and frost free place.

Environmental protection

Replace waste disposal with raw material recycling.

In order not to affect environmental protection, if the tools, accessories and packaging are damaged, they must be classified for recycling. Do not throw the power tools or battery packs into general household waste, flames or water.

Quality assurance

1. Our company is responsible for repair if the tools have malfunction caused by manufacturing. The warranty period is 6 months from the date of purchase. Present the invoice and warranty card when repairing the tool.
2. The following situations are not covered by the warranty.
 - a. Natural wear, normal wear of consumable parts.
 - b. Damages caused by overloaded work or improper use.
 - c. Any product that has been opened, repaired, replaced with parts, or modified.
 - d. Damages caused by improper transportation or storage.

Product Warranty Card

Dear users :

Thank you for buying our products. In order to ensure your profit, users who buy our products can contact local distributor or Specified repair stations with invoice and warranty cards if the product failures due to quality problems.

Warranty Notice:

1. From _____ (Year/Month/Day) to _____ (Year/Month/Day), If the failure happen in normal use, our company will provide free warranty, parts replacement and other services according to the failure situation.
2. This warranty card and purchase invoice are the voucher of after-sales service provided by our company to customers. The card must be detailed only after filling in the following form and affixing the official seal with the distributor.
3. In one of the following cases, free warranty service will be invalid, and maintenance fees will be required:
 - (1) Exceed the expiration date.
 - (2) Failure or damage caused by not following the requirements of the product manual, maintenance or improper storage.
 - (3) Failure or damage caused by disassembling, repairing or modication of the product without the permission of our company.
 - (4) Machine breakdown or damage caused by force majeure.
 - (5) Consumable accessories.

This card is issued with the product. One card for one machine, to ensure that you can fully enjoy the right to free warranty service provided by the company, please keep this card properly, lost will not be replaced.

Purchase Date: _____ (Year/Month/Day)

Product Certificate

Inspector:

01

Date of manufacture:

NINGBO DELI TOOLS CO., LTD.
No. 128 Chezhan West Road, Huangtan Town,
Ninghai County, Ningbo, Zhejiang, China
delitoolsglobal@nbdeli.com
www.delitoolsglobal.com
+86 574 87562689
MADE IN CHINA

Reserved for future use
Version: 1.0
Date: June., 2022



